



ROE DEER

STOVE OVEN BBQ FIRE PLACE

cast iron stove ovens BBQ types & accessories



INSTRUCTION MANUAL

www.roe-deer.co.uk



INSTRUCTION MANUAL
MODEL: ARUNDEL A00063



ROE DEER - Stove Instructions

ROE DEER - Stoves Collection

Congratulations on the purchase of your new stove!

We have 18 years of experience developing the stoves to ensure the ultimate performance and years of trouble-free use. Being carefully designed and engineered, our stoves are manufactured to the highest standards with the best materials and the most modern equipment.

For more information on our stove range, please contact the retailer in your area or visit our website <https://roe-deer.co.uk>

The purpose of this manual is to familiarise you with your stove, and give guidelines for its installation, operation and maintenance. Please take time to read this manual and follow the guidelines on how to operate your new stove.

IMPORTANT

The outer casing, front and glass panel become extremely hot during operation and will result in serious injury and burns if touched. It is therefore recommended that a fireguard, complying with BS 8423:2002 is used in the presence of young children, the elderly or infirm.

Do not attempt to burn rubbish in this appliance. Please read these instructions carefully before installation or use.

ROE DEER - Stove Instructions

CONTENTS

1. Important Information
2. Installation of the Stove
 - 2.1. Assembly
 - 2.2. Regulations
 - 2.3. Installation
 - 2.4. Safety Clearances
 - 2.5. Floor
 - 2.6. Combustion Air Supply
 - 2.7. Access for Cleaning
3. Operating Instructions
 - 3.1. Health and Safety
 - 3.2. Smoke control areas (The Clean Air Act 1993 & Smoke Control Areas)
 - 3.3. Fuel
 - 3.4. Before Lighting
 - 3.5. Lighting
 - 3.6. De-ashing the Stove
4. Safe Operation Guidance
 - 4.1. Caution Hot
 - 4.2. Over Firing
 - 4.3. Chimney Fire
 - 4.4. Fumes
 - 4.5. Aerosol Spray
 - 4.6. Fire Guard
 - 4.7. Use of Operating Tools
 - 4.8. Adverse Weather Conditions
5. Maintenance
 - 5.1. Before Use
 - 5.2. General Cleaning
 - 5.3. Cleaning Glass
 - 5.4. Chimney
6. Trouble Shooting and Fault Finding
7. Further Resources / Information

ROE DEER - Stove Instructions

1. IMPORTANT INFORMATION

- Before installation and/or use of this appliance please read these instructions fully and carefully to ensure that you have fully understood their requirements.
- All local regulations, including those referring to national and European Standards need to be complied with when installing the appliance.
- The appliance must be installed by a registered installer, or approved by your local building control officer.
- Only use for domestic heating in accordance with these operating instructions. You must burn only approved fuels.
- This stove will become very hot whilst in operation and due care should be taken.
- Use only the appropriate tool to operate the hot door handles and ash pan. Extra fuel should not be stored on or next to the appliance. Do not place flammable objects on or near the stove.
- The stove must NOT be installed into a chimney that serves any other appliance and is suitable for intermittent burning.
- Do not obstruct inside or outside ventilation required for the safe use of this appliance. There must be a suitable air supply into the room where the stove is installed and care should be taken so it is not possible to block the front or back air inlets to the stove.
- Extractor fans or cooker hoods must not be placed in the same room or space as this can cause appliance to emit fumes into the room.
- Do not make unauthorised changes to the appliance.
- The stove and chimney must be regularly cleaned. It is especially important to check for blockages following a prolonged shutdown period. It is recommended that the stove and chimney flue is regularly maintained by a competent engineer.
- CO Alarms: Building regulations require that whenever a new or replacement fixed solid fuel or wood/biomass appliance is installed in a dwelling, a carbon monoxide alarm conforming to the latest edition of BSEN50292 must be fitted in the same room as the appliance. The existence of an alarm must not be considered a substitute for ensuring regular servicing and maintenance of the appliance and chimney system.
- Under NO circumstances should the stove be operated for extended periods with the main fire door open. This will result in an over firing situation and will lead to severe damage to the stove and flue system.
- Ignoring the warnings could lead to damage/injury to persons and/or property.
- Any manufacturer instructions must not be taken as overriding statutory requirements.
- ROE DEER will not be responsible for any consequential or incidental loss or injury however caused.

ROE DEER - Stove Instructions

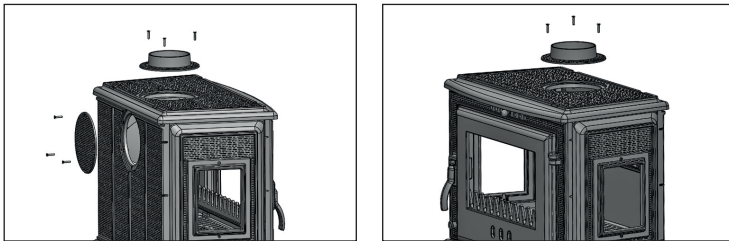
2. INSTALLATION OF THE STOVE

PLEASE READ THESE INSTRUCTIONS CAREFULLY

For your safety it is very important that your stove is correctly installed. Our stoves cannot accept any responsibility for any fault arising through the incorrectly practiced installations or use.

2.1. Assembly

Our stove offers multiple installation options thanks to the chimney outlets located in its upper and rear compartment. You can determine the chimney outlet that you will install according to the area of use.



ROE DEER - Stove Instructions

2. INSTALLATION OF THE STOVE

PLEASE READ THESE INSTRUCTIONS CAREFULLY

For your safety it is very important that your stove is correctly installed. Our stoves cannot accept any responsibility for any fault arising through the incorrectly practiced installations or use.

2.2. Regulations

All national and local regulations need to be complied with when installing the stove.

2.3. Installation

The stove must be installed by a registered installer or approved by your local building control officer.

2.4. Safety Clearances

The stove must be installed on a solid, level non-combustible hearth and with a gap of at least 600mm from any combustible material such as beams or skirting.

When installing a stove, hearths should have a sufficiently flat surface to allow a firm seating surface for the stove body to be positioned during its installation. The appliance should be sited in a properly constructed brick fireplace or recess allowing a gap of 100mm all round, at the rear and both sides.

IMPORTANT: INSTALLATION MUST COMPLY WITH CURRENT BUILDING REGULATIONS ENSURE THAT SUFFICIENT CLEARANCES ARE PROVIDED BETWEEN THE FLUE PIPE AND ANY COMBUSTIBLE MATERIALS IN THE FIREPLACE IN ACCORDANCE WITH THE RULES IN FORCE.

2.5. Floor

National and local building regulations must be complied with when considering the floor where the stove is to be installed.

The stove should be installed on a non-combustible surface not less than 12mm thick (conforming to Building Regulations unless otherwise specified) of suitable load bearing capacity and heat resistance.

The hearth should be level and the appliance fitted at right angles to it. The hearth has to be able to support the weight of the appliance and any flue bearing down upon it. The clearance distances to combustible material beneath, surrounding or upon the hearth and walls adjacent to the hearth should comply with Building Regulations rules in force.

ROE DEER - Stove Instructions

2.6. Combustion Air Supply

All stoves require ventilation to burn safely and correctly. In order for the stove to perform efficiently and safely there should be an adequate air supply into the room in which the stove is installed to provide combustion air. Air starvation will result in poor flue draw and may cause smoke to leak into the room.

There must not be an extractor fan fitted in the same room as the stove as this can cause the stove to emit fumes into the room.

For more detailed guidelines on required ventilation sizes please refer to Building Regulations in force.

2.7. Access for Cleaning

Consideration must be given to installing extra access in the flue system to ensure all sections can be cleared and maintained.

Only clean the stove when cold. To clean the glass, either use an oven cleaning fluid or dip a wet cloth in the wood ash and gently rub clean. The outside can be cleaned with a soft brush. Do not use abrasive cleaners as this will remove the paint.

If the stove has a period of non-use leave the primary and secondary air controls in the open position to allow ventilation through the stove.

3. OPERATING INSTRUCTIONS

3.1. Health and Safety

Please consult health and safety guidelines for advice on handling heavy and/or large items

3.2. Smoke Control Areas (The Clean Air Act 1993 & Smoke Control Areas)

Under the Clean Air Act local authorities may declare the whole or part of the district of the authority to be a smoke control area. It is an offence to emit smoke from a chimney of a building, from a furnace or from any fixed boiler if located in a designated smoke control area. It is also an offence to acquire an "unauthorised fuel" for use within a smoke control area unless it is used in an "exempt" appliance ("exempted" from the controls which generally apply in the smoke control area).

Your local authority is responsible for implementing the Clean Air Act 1993 including designation and supervision of smoke control areas and you can contact them for details of Clean Air Act requirements.

Further information on the requirements of the Clean Air Act can be found here:
<https://www.gov.uk/smoke-control-area-rules>

ROE DEER - Stove Instructions

3.3. Fuel

Wood

Any type of wood is suitable (though hardwood is preferable) provided it is well seasoned and has a moisture content below 20%. Typically this means wood which has been cut and stored in an open dry shelter for between one and two years. We recommend that for general burning, wood should be split into logs of no more than 100mm (4 inches) diameter.

DO NOT BURN wet or unseasoned wood, painted, impregnated / treated wood, manufactured board products or pallet wood. Doing so will result in the wood burning inefficiently and excess smoke, soot or tar will be produced. This will coat and damage the internal components of the stove and flue and could result in a chimney fire. If, when burning wood, you see signs of sticky tar inside the appliance or chimney, your wood is 'green' or too wet and requires further seasoning.

DO NOT BURN: bituminous coal, any petroleum based products or any liquid fuels.
DO NOT BURN Any form of plastics in this appliance.

3.4. Before Lighting

If using for the first time or following a long period out of use check that the flue is clear and unobstructed. Check that the ash pan is empty and in position.

WARNING

During the first few times the stove is used, the heat resistant paint will be curing and may give off small amounts of smoke and odours. This is completely normal for this type of appliance and we recommend that you light a small fire for the first few days of use to cure the paint and allow the castings to relax, not fired vigorously.

You may hear your stove produce clicking or ticking noises whilst it heats up or cools down. This is completely normal and is produced by the expansion and contraction of the steel components in your stove when its temperature changes.

BDS Stoves are designed to be operated with the fire door(s) closed at all times, apart from refuelling (when alight) or cleaning (when cold).

Prior to lighting the stove for the first time, please check that Installation and all building work is complete, Building Regulations and any local by-laws have been followed during installation, Carbon Monoxide detector is correctly installed in the same room as the appliance, Suitable provision for combustion and ventilation air, depending upon building regulations have been undertaken. Ensure that you have read and understood these instructions before lighting the fire.

ROE DEER - Stove Instructions

3.5. Lighting

Please check whether your dwelling is located in a smoke control area before installation or use. Please check with your local authority or <https://www.gov.uk/smoke-control-arearules>

Operation with the door open can cause excess smoke. The appliance **MUST NOT** be operated with the appliance door left open except as directed in the instructions.

The procedure adopted for ignition is to build a bed in stages and to warm the body of the appliance and the chimney as quickly as practicable.

Firstly kindling, weighing approximately 1 kg will need to be lit (using a chemical firelighter is recommended) with the air control fully open. When the firelighters or newspaper are burning, leave the door ajar about 1 to 2 cm to achieve a good draw and avoid condensation. Allow the burning kindling to warm up the chimney.

After 2 to 5 minutes the chimney should be warm enough create a good draw and the door can be closed. Once the kindling has formed a good bed of glowing embers, two small logs can be added. When these are alight and fully blackened, the door can be closed. This, typically, takes approximately a further five minutes. (Do not be tempted to overfill the firebox and risk fuel falling onto the glass or out the fire as the door is opened) Under normal chimney draft conditions expect to refuel the stove every 46 to 60 minutes.

WARNING

When opening the door, always open gently for the first 2 to 3 cm to allow the pressure to equalise and stop smoke from escaping.

The stove should not be operated with either door left open for long periods. The stove door should never be left open when the stove is in use. Do not leave the fire unattended after refuelling until flames are well-established on the newly charged logs

3.6 De-ashing the Stove

WARNING

Take great care when removing and emptying the ash pan. Ash can remain hot long after appliance has been in use. Ash can be very hot! Care must be taken not to burn hands or household objects with falling embers—**ALWAYS USE THE GLOVE SUPPLIED.**

ROE DEER - Stove Instructions

Do not allow ash to build up as it may cause damage and adversely effect the performance of the appliance. Warning: Ash can remain hot long after appliance has been in use.

Before de-ashing the stove, make sure that all the fuel has burned out and the ashes has cool down, then use a brush let the ash fall from bed of the fire into the ash pan underneath. Then take out of the ash pan. Do not place hot ash in any container made from plastic or any other combustible material. Empty only into a metal container. Even if the ash appears cold, red hot embers maybe concealed and could easily start a fire or cause an injury.

If the stove still burning when you want to de-ashing the stove, please make sure that you take a Fire-retardant glove and use special tools for cleaning. Brush and vacuum cleaner are not suitable in this case.

4. SAFE OPERATION GUIDANCE

4.1. Caution: HOT

During operation, the stove and all the fittings (door handles and controls) get very hot.

4.2. Over-Firing

Do not over-fill with fuel or run at high temperatures for long periods or over-firing can occur. Look out for parts of the stove or flue glowing red hot. If such a situation occurs adjust the air supply accordingly to reduce the burning rate.

4.3. Chimney Fire

If the chimney is thoroughly and regularly swept, chimney fires should not occur.

However if a chimney fire occurs;

- Shut all air controls immediately.
- Evacuate the building.
- Call the fire brigade.
- Do not re-enter the building until it is confirmed safe

Do not use the appliance after a chimney fire until it has been inspected by a registered installer, confirming the appliance is safe to use.

4.4. Fumes

If installed, operated and maintained correctly the stove will not emit fumes into the room other than occasionally well small amounts when re-filling and de-ashing.

However persistent fume emission is potentially dangerous and must not be ignored. If fume emission does persist, the following immediate actions should be taken;

ROE DEER - Stove Instructions

- Open doors and windows to ventilate the room
- Leave the room
- Let the fire burn out
- Check the stove, flue and chimney for blockages
- Do not attempt to relight the fire until the cause of the fume emission has been identified and corrected. If necessary, seek expert advice.

4.5. Aerosol Sprays

Do not use an aerosol spray on or near the stove when it is alight

4.6. Use of Fireguard

When using the stove in situations where children, aged and/or infirm persons are present a fireguard must be used to prevent accidental contact with the stove. The fireguard should be manufactured in accordance with BS 8423:2002, Fireguards for use with solid fuel appliances

4.7 Use of Operating Tools

Always use the operating tools provided when handling parts likely to be hot when the stove is in use.

4.8. Adverse Weather Conditions:

In a small number of installations, very occasionally in specific weather conditions (direction of the wind) the draw of the chimney may be affected causing a downdraught and fumes to be emitted into the room. If this is the case the stove should not be used and advice sought from a professional flue installer who would be able to advise on possible solutions such as an anti-downdraught cowl.

5. MAINTENANCE

PLEASE ENSURE THAT THE STOVE IS UNLIT AND COLD BEFORE ANY MAINTENANCE

The need for regular maintenance on your stove will ensure, safe and efficient use of your appliance

5.1. Before use

It is good practice to keep ash and debris to a minimum. Especially empty the ash pan section. Remember that if only burning wood it is recommended to keep a bed of ash about 1 cm thick on the grate.

5.2. General Cleaning

Clean and inspect the appliance regularly, especially in periods of heavy use. Regular cleaning and maintenance will help give many years of safe use.

ROE DEER - Stove Instructions

Check internal components for damage and for obvious build up of soot, ash or debris above the flue baffle.

Clean the outside of the stove with a soft brush. An annual service by a competent engineer is recommended to keep your stove in the best possible condition.

5.3. Cleaning Glass

Before applying a cleaning agent remove any dust and loose soot with a damp cloth. Clean the stove glass only when cool with a specialist glass cleaner. Use of any abrasive cleaner will scratch the glass and make subsequent cleaning more difficult. Before relighting the appliance ensure the glass is fully dried.

5.4. Chimney

It is important to have the chimney cleaned at least once a year.

It is important that the flue connection and chimney are swept prior to lighting up after a prolonged shutdown period.

Regular inspection and cleaning of the internal components of the stove can indicate if the chimney requires more frequent cleaning.

If the stove has been unused for an extended period (during summer) the chimney should be checked by a competent person before use.

Note

All parts that are in direct contact with the fire (grate, baffle, back and aside air boxes) are considered as normal wear parts. Their life will be dependant on how vigorously the stove is operated and they must be inspected and maintained on a regular basis. If they become worn, damaged or not positioned correctly, non wear parts such as the stove top and sides will be exposed to excessive heat and may be damaged.

6. TROUBLE-SHOOTING AND FAULT FINDING

The Stove does not produce the expected heat into the room:

- The fuel is too wet and not suitable.
- Air inlets to the stove are blocked.
- Inadequate air supply into the room
- Has the flue pipe been sealed to the chimney to prevent heat being drawn up the chimney to waste?
- For the maximum efficiency of heat transference into the room the stove should be sited on the hearth of the fireplace rather than recessed.

The Stove burns too fast

- The chimney has excessive draw (seek installers advice on this point).
- The wood being used may be generally too small.

ROE DEER - Stove Instructions

- The glass is not sealed, gently tighten glass retaining clips. Do not over tighten as this will stress or break the glass.
- Use whole logs rather than split ones.

Soot build up on glass when

- Fuel is too wet
- Fuel pieces are too large and `smouldering` rather than burning
- The stove operating temperature is too low
- The stove is being run too slow with not enough air
- Poor chimney draft

Excessive wear on internal parts when

- Stove fired too vigorously
- Too little air passing through the bottom grate
- Use of wood that is too dry (eg: wood from old furniture)

7. FURTHER RESOURCES / INFORMATION

For further information please visit the following resources.

- Competent Person Schemes

<https://www.gov.uk/guidance/competent-person-scheme-current-schemes-and-howschemes-are-authorised>

- Document J Building Regulations (Combustion Appliances) - www.planningportal.gov.uk
- The National Association of Chimney Sweeps (NACS) - www.nacs.org.uk/
- Smoke Control Areas—The Rules - www.gov.uk/smoke-control-area-rules

Organisations authorised to certify competence in the installation of domestic solid fuel appliances (Competent Persons Scheme):

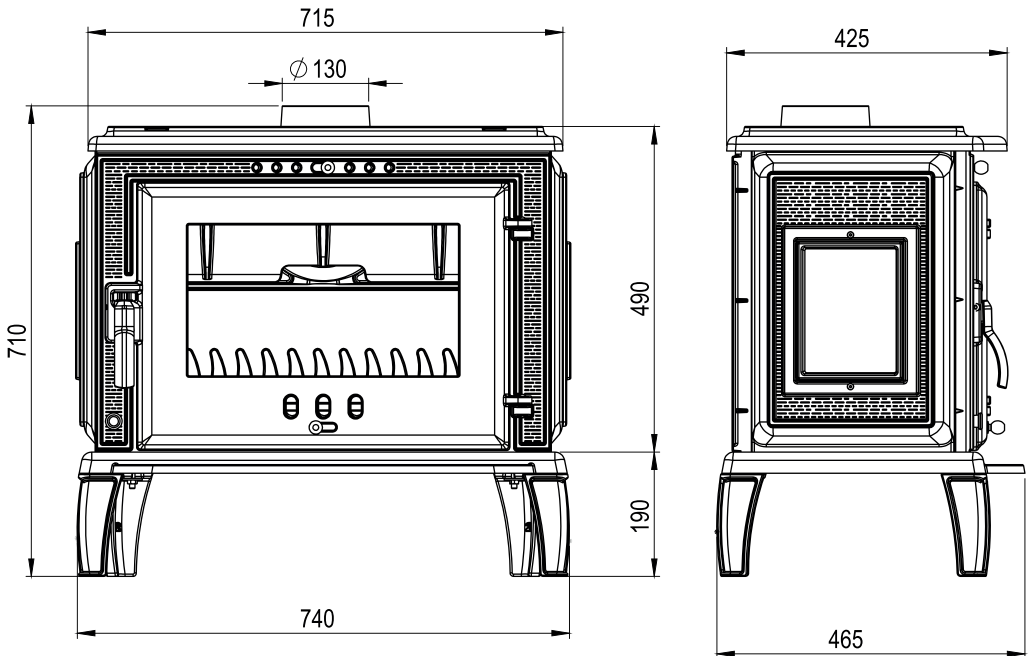
- APHC - Association of Plumbing and Heating Contractors (Certification) Ltd.
www.aphc.co.uk
- BESCA - Building Engineering Services Competence Accreditation Ltd.
www.besca.org.uk
- HETAS - Heating Equipment Testing and Approval Scheme Ltd. - www.hetas.co.uk
- NAPIT - National Association of Professional Inspectors and Testers Ltd.
www.napit.org.uk NICEIC
- NICEIC Group Ltd. - www.niceic.org.uk

ROE DEER - Stove Instructions

All local regulations, including those referring to National & European standards, need to be complied with during the installation, operation and maintenance of the appliance. Before any installation work is undertaken consideration must be given to the Health and Safety at Work Act 1974. Safe working practices should be followed at all times.

It is a LEGAL REQUIREMENT that the installation of all new or replacement, wood or solid fuel heating appliance, obtain building control approval from your local authority or the installation work must be carried out through a government approved competent persons scheme.

MODEL: ARUNDEL A000063



ROE DEER

STOVE OVEN & BBQ FIRE PLACE

EN 13240:2006



MODEL ARUNDEL	CODE A000063	Rated Heating Capacity 15 kW
EFFICIENCY 75%	CO RATE 0.20%	Dimensions 740x465x710 mm

Place of testing: ITEM Consult Ltd – Testing laboratory Sofia 1220, 8 Istoria Slavianobulgarska Blvd

R STOVE
OVEN & BBQ
FIRE PLACE

[www.ROE-DEER.co.uk](http://www.roe-deer.co.uk)